

## 23.7 cu. ft. Counter-Depth MAX™ 3-Door French Door Refrigerator



- Counter-Depth MAX™
- 23.7 cu. ft. Capacity
- Tall Ice & Water Dispenser
- Dual Ice Maker with Craft Ice®
- Door Cooling
- LED Lighting
- Cool Guard Stainless Steel Back Wall
- Zero Clearance Hinge System
- Premium Handle
- LG ThinQ® Technology (Wi-Fi)
- ThinQ Care

### COUNTER-DEPTH MAX™



| COLOR AVAILABILITY                       |  |
|--|--|
| ●  | LF24Z6530S – PrintProof® Stainless Steel |
| CAPACITY                                 |  |
| Refrigerator (cu. ft.)                   | 15.8                                     |
| Freezer (cu. ft.)                        | 7.9                                      |
| Total Capacity (cu. ft.)                 | 23.7                                     |
| ENERGY                                   |  |
| Energy Consumption (kWh / Year)          | 699                                      |
| ENERGY STAR® Certified                   | Yes                                      |
| WATER & ICE SYSTEM                       |  |
| In-Door Dispenser                        | Yes, Ice & Water                         |
| In-Door Ice System                       | Slim SpacePlus®                          |
| In-door Ice Maker - Ice Type             | Cubed & Crushed                          |
| In-door Ice Maker - Daily Ice Production | 3.0 lbs. (3.3 lbs. w/IcePlus®)           |
| In-door Ice Maker - Ice Storage Capacity | 3.0 lbs.                                 |
| Freezer Ice Maker                        | Yes (1)                                  |
| Freezer Ice Maker - Ice Type             | Craft Ice®                               |
| Freezer Ice Maker - Daily Ice Production | 3 or 6 ea.                               |
| Freezer Ice Maker - Ice Storage Capacity | 20-30 ea.                                |
| Dispenser Light                          | Yes                                      |
| Water Filter                             | LT1000P (NSF-Certified*)                 |
| COOLING                                  |  |
| Compressor Type                          | Smart Inverter                           |
| Dual Evaporators                         | No (1 evaporator)                        |
| Multi-Air Flow System                    | Yes                                      |
| Door Cooling                             | Yes                                      |
| Temperature Sensors                      | 2  |
| Fresh Air Filter                         | Yes                                      |

| CONVENIENCE                         |                                  |
|-------------------------------------|----------------------------------|
| Display Type                        | Smooth Touch Control / White LED |
| Temperature Controls                | Electronic / Digital             |
| Door Alarm                          | Yes                              |
| Child Lock                          | Yes                              |
| Auto Closing Door Hinge             | Yes                              |
| ADA Compliant                       | Yes                              |
| Sabbath Mode                        | Yes (Star-K-Certified)           |
| REFRIGERATOR                        |                                  |
| No. of Shelves                      | 4 split (4 Fixed)                |
| Cantilevered Shelves                | Yes                              |
| Shelf Construction                  | Spill Protector™ Tempered Glass  |
| Crisper Bins                        | 2                                |
| Glide N' Serve® Pantry Drawer       | Yes                              |
| Cool Guard                          | Yes                              |
| Refrigerator Light                  | Yes                              |
| REFRIGERATOR DOOR                   |                                  |
| Edge-to-Edge InstaView®             | No                               |
| InstaView® Door-in-Door®            | No                               |
| Door-in-Door® with ColdSaver® Panel | No                               |
| No. of Door Bins                    | 5 (2 Left, 3 Right)              |
| Door Bin Construction               | 1 Piece (Clear)                  |
| FREEZER                             |                                  |
| Freezer Type                        | Pull Drawer                      |
| Freezer Drawers                     | 2-Tier Organization              |
| DuraBase® Solid Drawer Base         | Yes                              |
| Drawer Divider                      | Yes (Fixed)                      |
| Ice Storage                         | Craft Ice®                       |
| Freezer Light                       | LED Lighting                     |
| Freezer Handle                      | Pocket Handle                    |

## SMART FEATURES

|                   |                                |
|-------------------|--------------------------------|
| Wi-Fi Enabled     | Yes                            |
| ThinQ® Technology | Yes                            |
| ThinQ Care        | Yes                            |
| Voice Control     | Google Assistant, Amazon Alexa |
| SmartDiagnosis™   | Yes                            |
| Remote Monitoring | Yes                            |

## MATERIALS AND FINISHES

|   |  |
|---|--|
| Hidden Hinges                           | Yes  |
| Surface                                 | Smooth   |
| Fingerprint & Smudge Resistant Exterior | Yes  |
| Handles                                 | Premium Handles (Fresh Food) and Pocket Handle (Freezer) |

## ACCESSORIES

|                              |         |
|------------------------------|---------|
| Replacement Water Filter     | LT1000P |
| Replacement Fresh Air Filter | LT120F  |

## TECHNICAL SPECS

|                            |                      |
|----------------------------|----------------------|
| Required Power Supply      | 115 V, 60 Hz, 15 Amp |
| Plug Type                  | 3-Prong              |
| Power Cord Location        | Top                  |
| Min. / Max. Water Pressure | 20 - 120 psi         |

## DIMENSIONS / CLEARANCES / WEIGHTS

|                                      |                             |
|--------------------------------------|-----------------------------|
| Depth with Handles                   | 29 7/8"                     |
| Depth without Handles                | 27 1/2"                     |
| Depth without Door                   | 24 3/4"                     |
| Depth (Total with Door Open)         | 43 7/8"                     |
| Height to Top of Case                | 68 7/8"                     |
| Height to Top of Door Hinge          | 70 1/4"                     |
| Width                                | 35 3/4"                     |
| Width (Door Open 90° with Handle)    | 40"                         |
| Width (Door Open 90° without Handle) | 35 1/8"                     |
| Door Edge Clearance with Handle      | 2 1/8"                      |
| Installation Clearance               | Sides 1/8", Top 1", Back 2" |
| Approx. Weight (Product / Carton)    | 291 lbs. / 313 lbs.         |
| Carton Dimensions (WxHxD)            | 38" x 72" x 29"             |

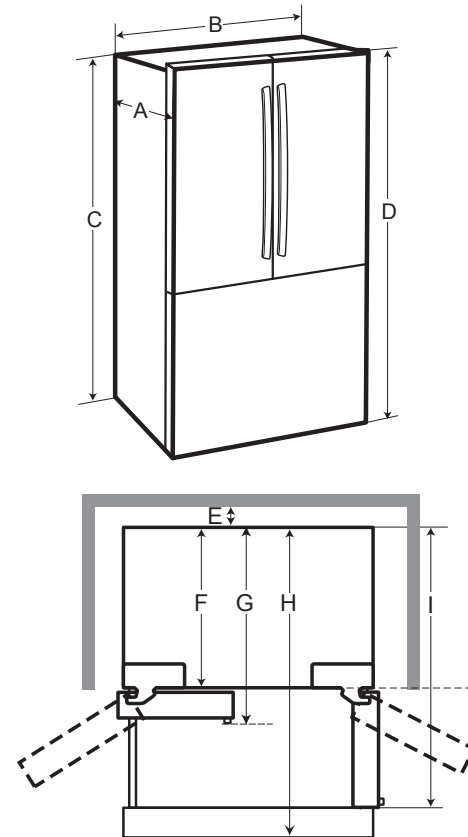
## LIMITED WARRANTY

|   |            |
|---|------------|
| Parts & Labor                             | 1 Year     |
| Sealed System (Parts & Labor)             | 5 Years    |
| Compressor (Parts & Labor)                | 5 Years    |
| Linear / Inverter Compressor (Parts Only) | 6-10 Years |



\*System tested and certified by NSF® International against NSF / ANSI Standard 42, Standard 53 and Standard 401.

## DIMENSIONS / CLEARANCES



## DIMENSIONS / CLEARANCES

|   |  |                    |
|---|--|--------------------|
| A | Depth without Handles                  | 27 1/2" (699 mm)   |
| B | Width                                  | 35 3/4" (908 mm)   |
| C | Height to Top of Case                  | 68 7/8" (1750 mm)  |
| D | Height to Top of Hinge                 | 70 1/4" (1785 mm)  |
| E | Back Clearance                         | 2" (50 mm)         |
| F | Depth without Door                     | 24 3/4" (628.7 mm) |
| G | Depth with Handle                      | 29 7/8" (759 mm)   |
| H | Depth (Total with Freezer Drawer Open) | 46" (1168 mm)      |
| I | Depth (Total with Door Open 90°)       | 43 7/8" (1114 mm)  |

## INSTALLATION NOTES

- The installation location chosen for the refrigerator should allow space behind the unit for connections and airflow and space in front to open the doors and drawers.
- Too small of a distance from adjacent items may result in lowered freezing capability and increased electricity consumption charges. Allow at least 24 inches (610 mm) in front of the refrigerator to open the doors, and at least 2 inches (50.8 mm) between the back of the refrigerator and the wall.